



FLIR TCX™

Thermal Mini Bullet

FLIR leads the pack in thermal security technology with the new TCX Mini Bullet — innovating the first class of cameras to combine 24/7 high-contrast thermal video and high-performance built-in video motion detection (VMD) with a level of affordability that the industry has never seen. FLIR thermal cameras give you the advantage to see clearly in complete darkness without any illumination, in bright sunlight, through smoke, dust or even light fog. Delivering intrusion detection, video alarm verification, lighting control, people counting, retail traffic flow and queue management, the TCX Mini Bullet enables a whole new range of applications for thermal imaging in one affordable device.



The most accurate intrusion detection and video alarm verification system available.

ELIMINATE FALSE ALARMS

More reliable than visible cameras, high-contrast thermal imaging results in a dramatic reduction in false alarms.

- Not affected by changes in lighting, low-contrast scenes or inclement weather
- No illumination is required
- Outperforms comparably priced visual cameras at night and in challenging lighting conditions

DETECTION AND VERIFICATION IN ONE DEVICE

The TCX Mini Bullet provides affordable intrusion detection and accurate video alarm verification in one device.

- Detection with built-in VMD or third-party analytics
- Detection Range: 50° ~ 20m, 25° ~ 40m
- Clear video 24/7 for video alarm verification

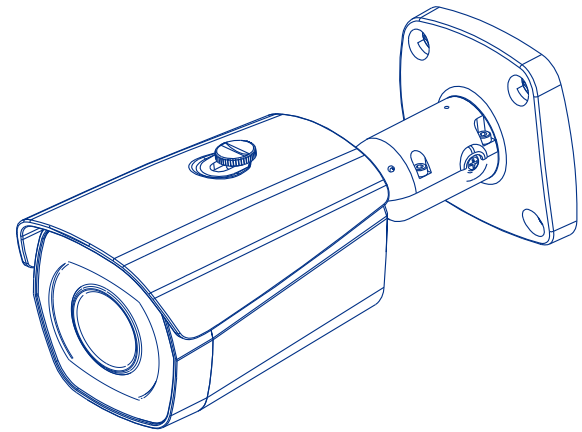
EASY INTEGRATION IN ALL ENVIRONMENTS

With the flexibility to integrate anywhere you need it, you can even employ the TCX Mini Bullet in cold climates.

- Plug and play with FLIR mobile apps, FLIR network or MPX recorders
- Tri-mode connection: IP, MPX (HDCVI) and analog video outputs
- PoE Class 3 & 12 VDC, Indoor/outdoor IP66, temp range -40°C – 50°C

Specifications

Camera Model	TCX Thermal Mini Bullet
	Fixed IP/MPX/analog Thermal Camera
Image Sensor	Uncooled Sun-safe VOx Microbolometer
Resolution	80 x 45
Thermal FOV	25° or 50°
Video Outputs	IP, MPX & analog video outputs
IP Video	H.264 and MJPEG
ONVIF Conformance	Profile S
On-board Video Motion Detection	Yes, 4 independent VMD masks
Event notifications	Email (SMTP) , Recording, Snapshot
Alarm Event Scheduler	Yes
AGC Region of Interest	Yes
Privacy Masking	Yes
Video Overlay Options	Time, Picture, Channel Name, Custom
Human Detection Range	20m for 50°, 40m for 25°
Operating Temp Range	-40°C to 50°C
Power Inputs	PoE Class 3, 12VDC
High Performance Surge Protection	Yes
Anti-Ice/De-Ice	Anti-Ice
Environmental	IP66
Compliance	FCC, CE
Key Features	<ul style="list-style-type: none"> • Tri-Mode - each camera provides IP, MPX and analog video outputs • High-performance AGC • Ideal for use with 3rd-party video analytics



SANTA BARBARA

FLIR Systems, Inc.
70 Castilian Drive
Goleta, CA 93117
USA
PH: +1 805.690.5097

PORTLAND

Corporate Headquarters
FLIR Systems, Inc.
27700 SW Parkway Ave.
Wilsonville, OR 97070
USA
PH: +1 866.477.3687

BELGIUM

FLIR Systems
Luxemburgstraat 2
2321 Meer
Belgium
PH: +32 (0) 3665 5100

CHINA - SHANGHAI

FLIR Systems, Co., Ltd.
K301-302, No.26 Lane
168, Daduhe Road,
Putuo District, Shanghai
200062, P.R.China
PH: +86-21-5169 7628

www.flir.com
NASDAQ: FLIR

Equipment described herein may require US Government authorization for export purposes. Diversion contrary to US law is prohibited. Imagery for illustration purposes only. Specifications are subject to change without notice. ©2014 FLIR Systems, Inc. All rights reserved. [Created 08/14]